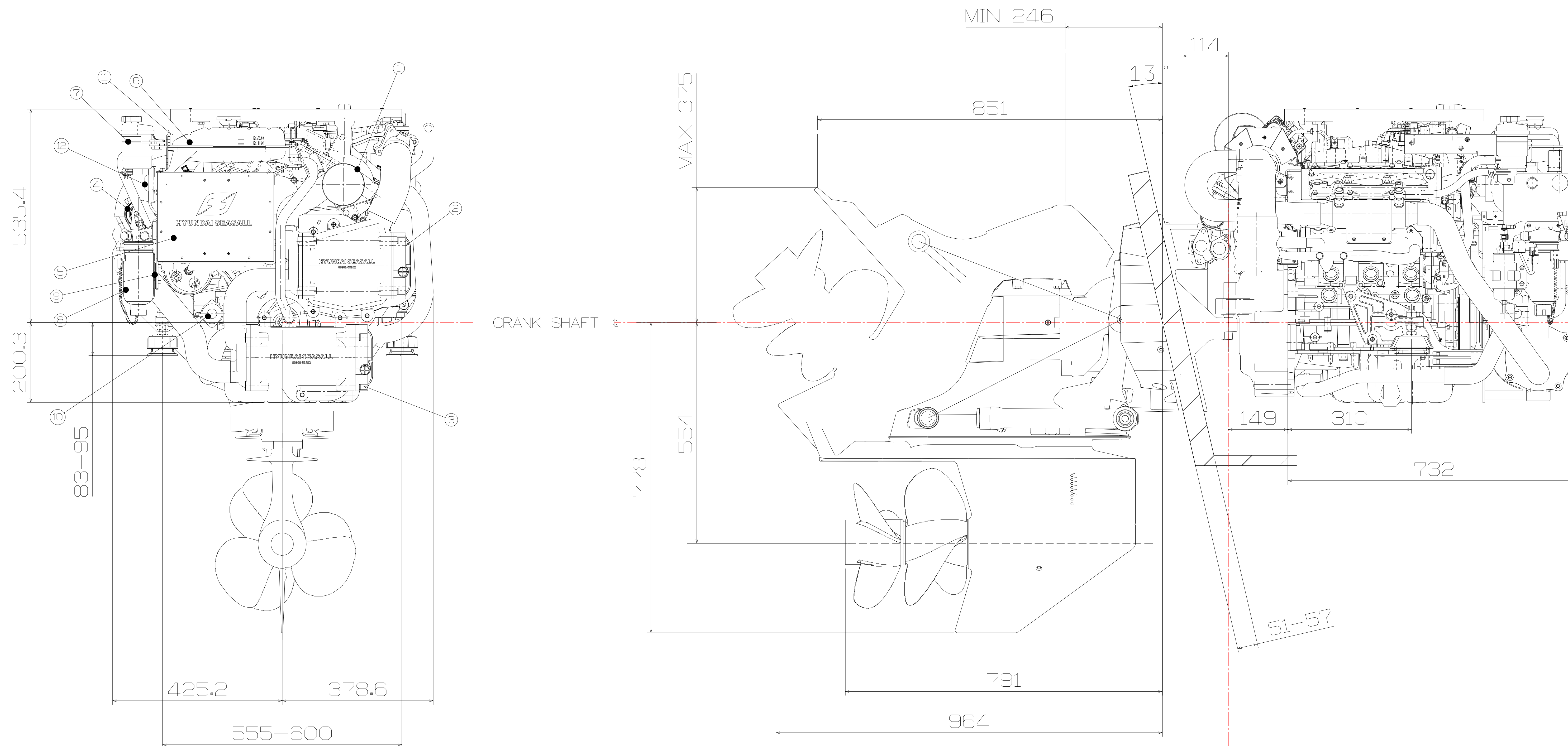


GENERAL TOLERANCE

DIM	ANGLE		
1 ~ 6	±0.1	0 ~ 10	±1'
6 ~ 30	±0.2	10 ~ 50	±0.5'
30 ~ 120	±0.3	50 ~ 120	±0.3'
120 ~ 400	±0.5	120 ~ 400	±0.1'
400 ~ 1000	±1.0		

No	DATE	REVISION	EO NUMBER
1	20140904	RELEASED	HS#-2014-053



- ① SEAWATER PUMP
- ② INTERCOOLER
- ③ HEAT EXCHANGER
- ④ POWER STEERING & GEARBOX OIL COOLER
- ⑤ ECU CASE WITH ENGINE CONTROL UNIT & RELAY ASSY
- ⑥ COOLANT EXPANSION TANK
- ⑦ POWER STEERING OIL RSV.TANK
- ⑧ FUEL FILTER
- ⑨ FUEL PUMP FROM FUEL TANK(LOW PRESSURE) : $\phi 8\text{mm}$
- ⑩ ELECTRIC ENGINE OIL DRAIN PUMP
- ⑪ BRACKET FOR SHIFTING POSITION
- ⑫ EMERGENCY ENGINE STOP SWITCH
- ⑬ SEAWATER HOSE CONNECTION : $\phi 46\text{mm}$
- ⑭ ACCEL POSITION SENSOR WITH THROTTLE CABLE CONNECTION
- ⑮ ENGINE OIL LEVEL GAUGE

NOTES

1. 치수 따지 말 것. (DO NOT SCALE)

QTY	QTY No.	PART No.	PART NAME	MTR.	REMARK
현대 씨즈올 주식회사 HYUNDAI SEASALL Co.					
DESIGNED	DESIGNED	APPROVED	SCALE	SCALE	SCALE
CY.KIM			1/5	DO NOT	SCALE
MATERIAL					
FINISH			.00		
PART NAME S2705+BRAVO3X 인스톨 도면 S2705+BRAVO3X INSTALLATION DRAWING					
PART NO			03900-BS003	SCALE	A0